



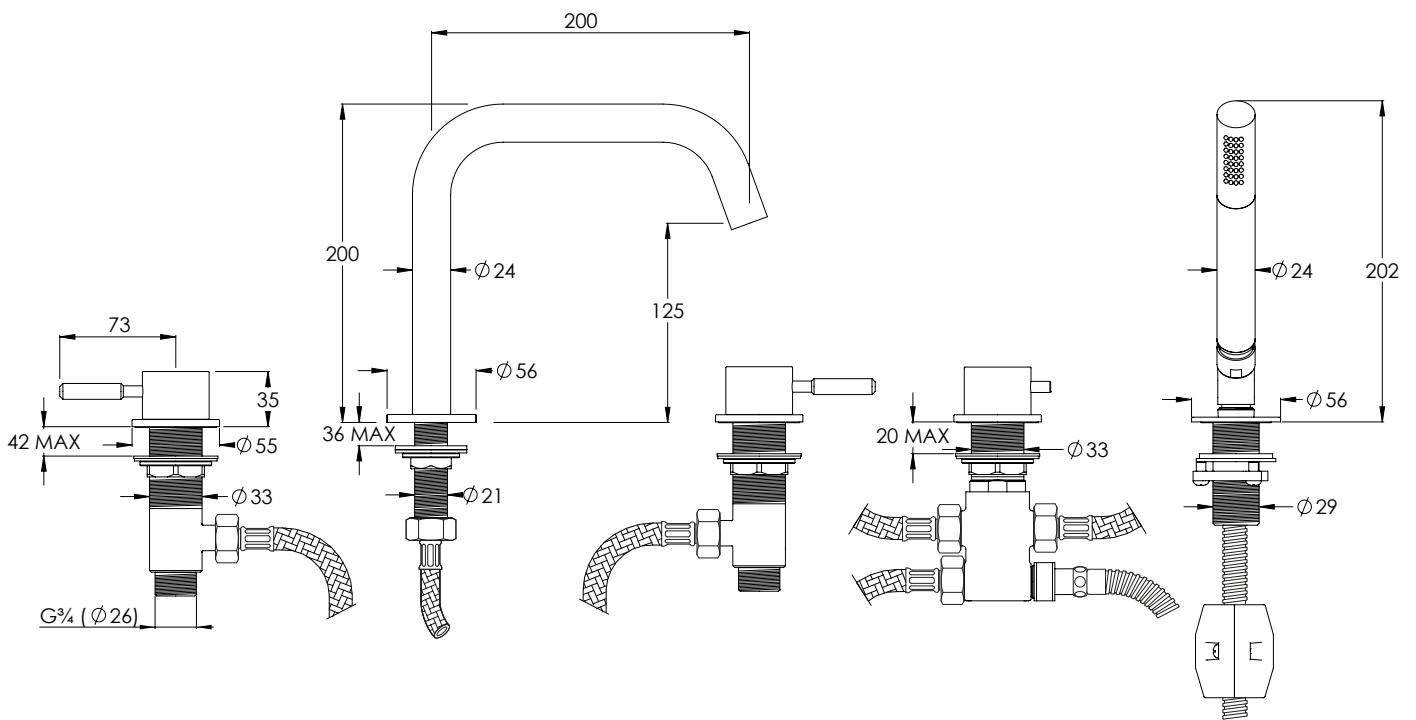
COALBROOK

DO2000

5 HOLE DECK MOUNTED BATH FILLER
WITH PULL OUT HANDSPRAY

DATE: 03/09/19

REVISION: A



DIMENSIONS IN MILLIMETRES

WHILST EVERY EFFORT IS MADE TO ENSURE THE ACCURACY OF THESE DATA SHEETS THEY ARE SUBJECT TO CHANGE WITHOUT NOTICE AS PART OF THE COMPANY'S PRODUCT DEVELOPMENT PROCESS